

strapex[®]

A SIGNODE BRAND

Quick Guide



STB 77

Heavy industry application
PET 25 / 32 mm



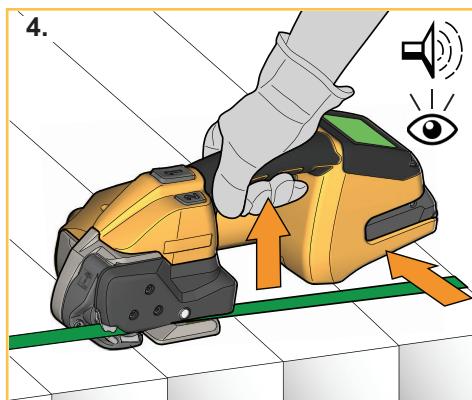
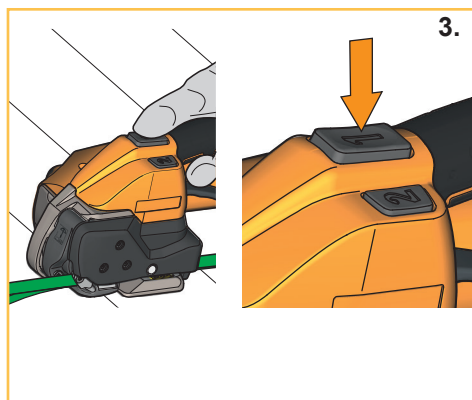
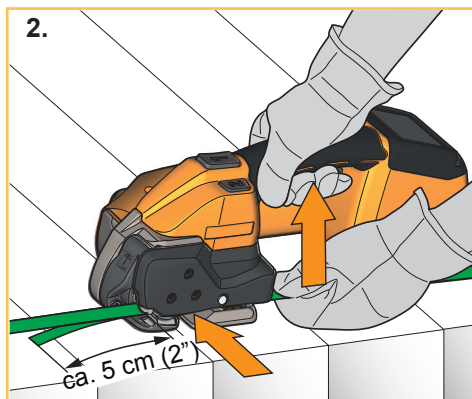
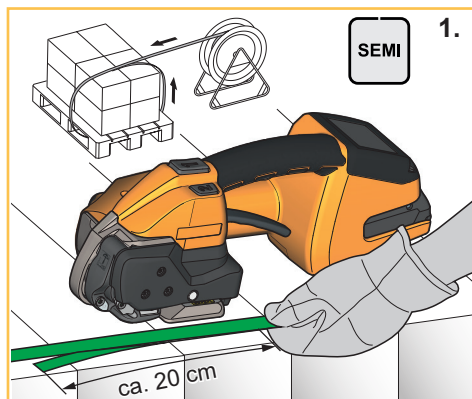
Package content



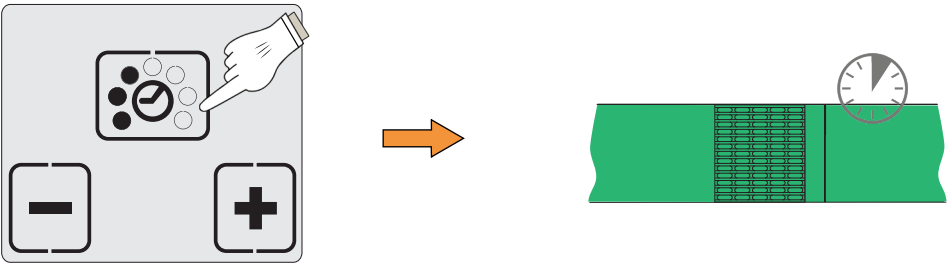
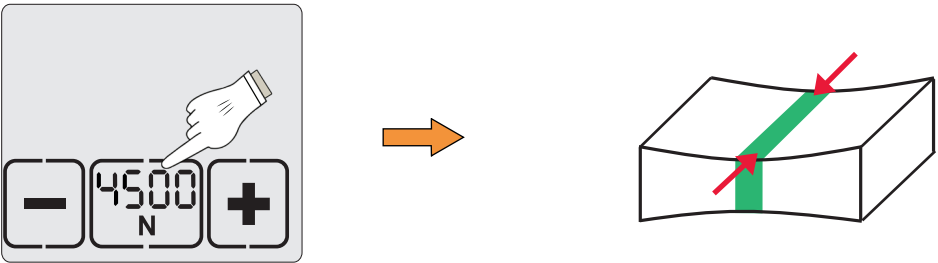
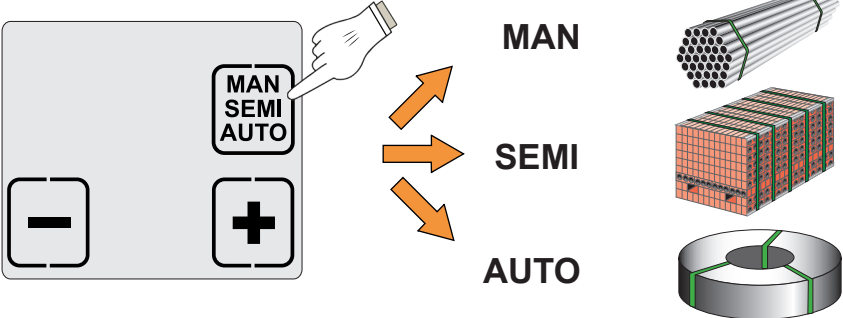
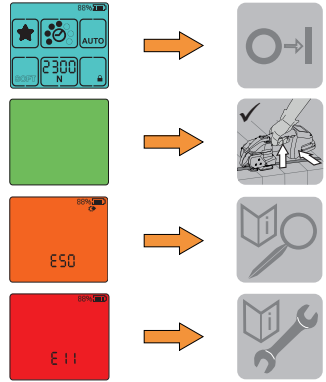
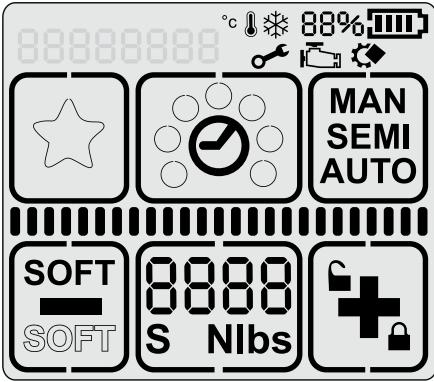
Operation



For safety regulations,
refer to operating instructions!



User interface



Cleaning/replacing wear parts



Accessories



Contact

Signode Switzerland GmbH
Silbernstrasse 14, Postfach
8953 Dietikon 1
SWITZERLAND
signode.com

www.strapex-stb.com

