

Quick Guide

STB 71



Light application
PP & PET / 9–13 mm



STB 73



Universal application
PP & PET / 13–16 mm



STB 75



Heavy industry application
PP & PET / 16–19 mm



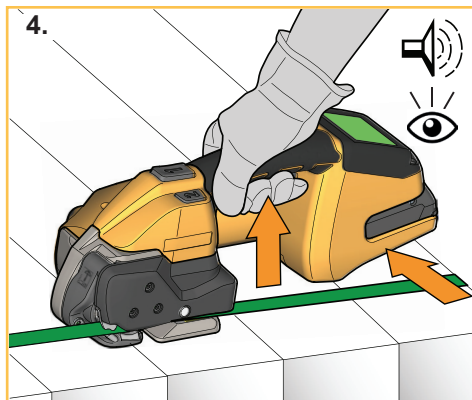
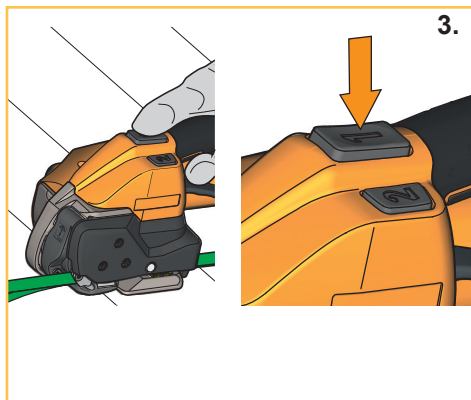
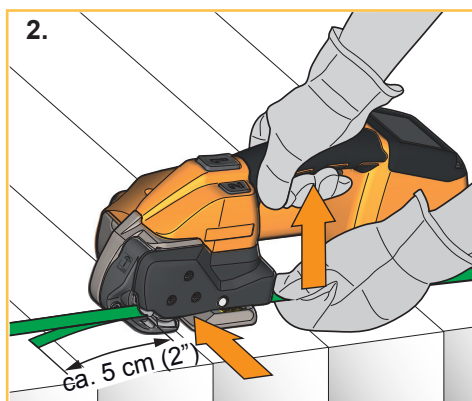
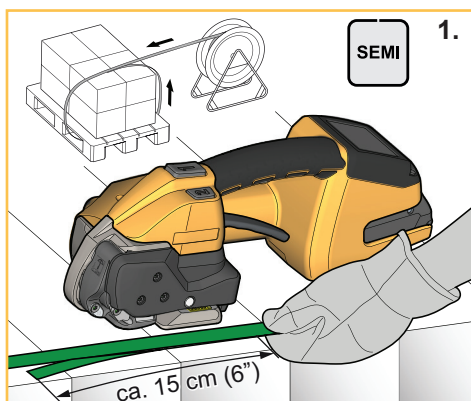
Package content



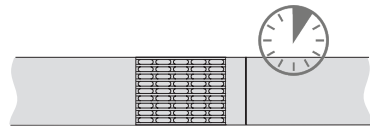
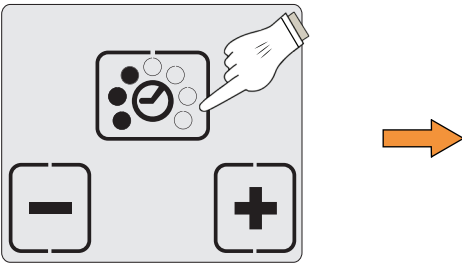
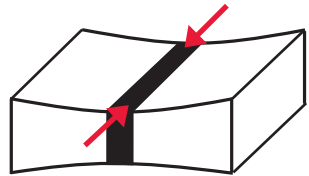
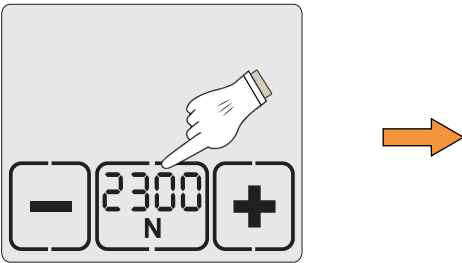
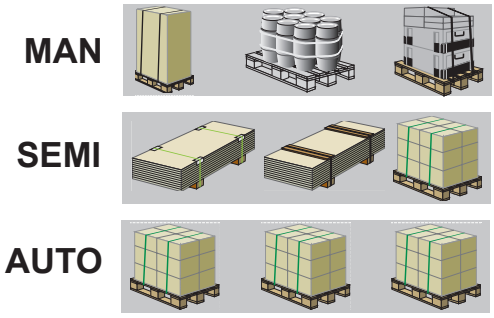
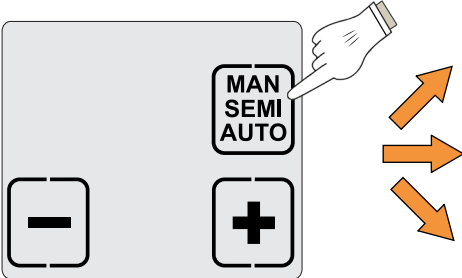
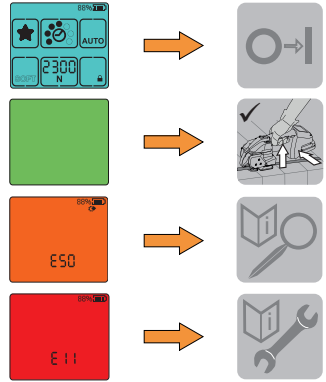
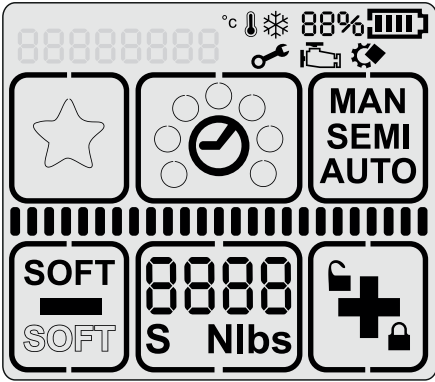
Operation



For safety regulations,
refer to operating instructions!



User interface



Cleaning/replacing wear parts



Accessories



Contact

Signode Switzerland GmbH
Silberstrasse 14, Postfach
8953 Dietikon 1
SWITZERLAND
signode.com

www.strapex-stb.com

